

**Key stage 3 mathematics 2009**

**Mental mathematics Test B**

First name \_\_\_\_\_

Last name \_\_\_\_\_

School \_\_\_\_\_

Total marks

**Practice question**

		39	
--	--	----	--

**Time: 5 seconds**

<b>1</b>	millimetres	kilometres	
		metres	
	centimetres	inches	

<b>2</b>		$8y + 3y$	
----------	--	-----------	--

<b>3</b>		6000	
----------	--	------	--

<b>4</b>		7.8	
----------	--	-----	--

<b>5</b>			
----------	--	--	--

<b>6</b>		0.3	
----------	--	-----	--

**Time: 5 seconds continued**

<b>7</b>		0.09	
----------	--	------	--

<b>8</b>			
----------	--	--	--

**Time: 10 seconds**

<b>9</b>		25p £2.50	
----------	--	-----------	--

<b>10</b>	Quarter to six	
	minutes	

<b>11</b>		13 14 15	
-----------	--	----------	--

<b>12</b>	Key:  = 3 pupils		
	Apple		
	Banana		
	pupils		

<b>13</b>		°C 8°C	
-----------	--	--------	--

<b>14</b>		%	
-----------	--	---	--

<b>15</b>		

**Time: 10 seconds continued**

**16**

No	Yes
----	-----

0% 100%

---

%

16

**17**

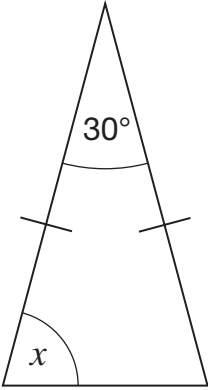
cm	4cm
----	-----

17

**18**

°

\_\_\_\_\_



18

**19**

hours	18
-------	----

19

**20**

£		5%	£2
---	--	----	----


20

**21**

	$y = 3x - 7$
--	--------------

21

**22**



---

cm

22

**23**

	$3y(5 - y)$
--	-------------

23

**Time: 15 seconds**

**24**

\_\_\_\_\_ and \_\_\_\_\_

24

**25**

1cm : 2km	$7\frac{1}{2}$ cm	
km		

25

**26**

	65 83
--	-------

26

**27**

	$\frac{(3 + b)^2}{5}$
--	-----------------------

27

**28**

Number of children	Frequency
0	1
1	1
2	4
3	3
4	1

children

28

**29**

2 : 3 : 4

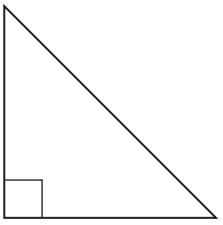
---

°, °, °

\_\_\_\_\_, \_\_\_\_\_, \_\_\_\_\_

29

**30**



---

$\sqrt{6}$        $\sqrt{9}$        $\sqrt{12}$

$\sqrt{18}$        $\sqrt{27}$

30